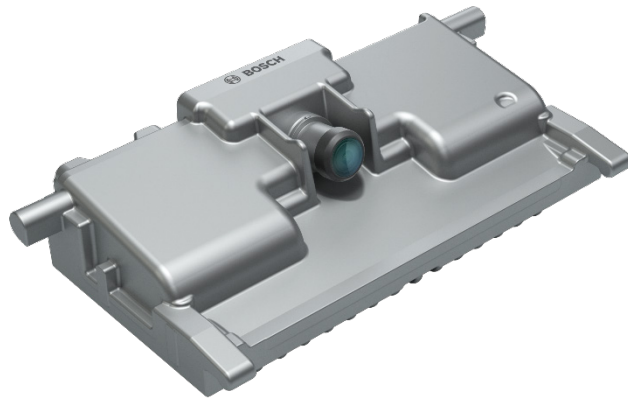


# Multi purpose camera

Combination of classic cutting edge computer vision algorithms and artificial intelligence methods

Safe perception through an algorithmic multi-path approach



## large field of view

for detection of crossing vulnerable road users

## high angular resolution

with increased range at the center

## artificial intelligence

for robust perception and behavior prediction

- ▶ System-on-chip with Bosch know-how for cutting-edge algorithm performance
- ▶ Reliable full scene understanding for increased safety using algorithmic multi-path approach
- ▶ Semantic segmentation based on deep learning
- ▶ Optical flow for model-free video processing



**BOSCH**

Invented for life

### TECHNICAL CHARACTERISTICS

Optics	Horizontal field of view	± 50°
	Vertical field of view	27° up, 21° down
	Aperture	F1.8
Imager	Resolution	2.6 MP HDR (2,048 x 1,280 pixels)
	Color pattern	RCCG
	Frame rate	45 frames per second, with flicker mitigation
System on chip	Technology	16 nm FFC
	Processing system	4 x ARM quad core (~ 9000 DMIPS) + 1 x ARM dual lockstep
	Hardware accelerator	DNN, classifier, optical flow, flexible CV engines
Safety level		Up to ASIL-B
Mechanics	Box size	120 x 61 x 36 mm